

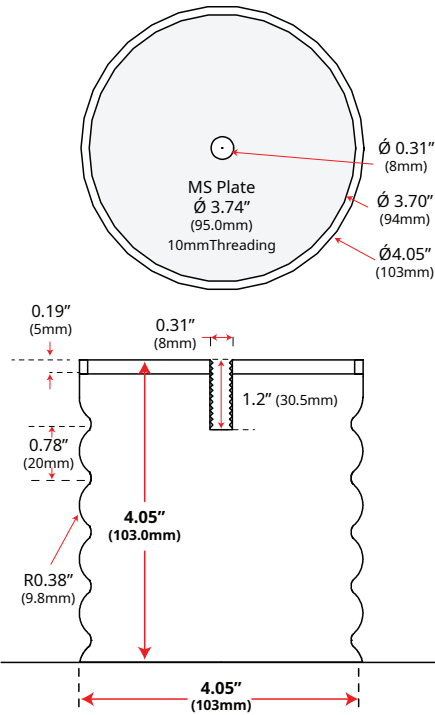
Universal Rubber Bump Stop Dimensions

Please contact us at info@rubbershox.com immediately if you have any questions about installing Modular Universal Rubber Bump Stop on your vehicle. We are a US company located in Southern California.

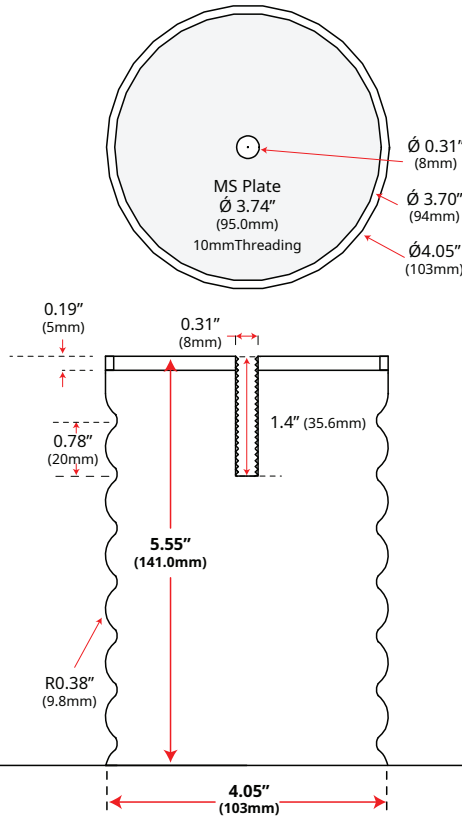
(Do not Copy) USB is Patent Pending. This instruction is part of an installation manual that is under Copyright Protection by RubberShox®
WARNING: Customers require common automotive safety practices during the installations, we recommend installation be done by a professional mechanical knowledge. RubberShox® hold no liability for actual automotive safety practices.
DISCLAIMER: RubberShox® Bump Stop products DO NOT increase vehicle load capacity. They are designed to equalize loads support OE suspension for more stability and increase ground clearance. Please refer to your vehicle's owner's manual for maximum load capacity for safe operation.

Model	UB13	UB13S	UB123	UB123S	UB1223	UB1223S
Qty	Pair	Single	Pair	Single	Pair	Single
Shore A Hardness	60		60		60	
Material	Natural Rubber		Natural Rubber		Natural Rubber	
Support Weight (pc/pair)	4500/9000lbs		4500/9000lbs		4500/9000lbs	
Dimension	4.05"H x4"Diag		5.55"H x4"Diag		7.12"H x4"Diag	

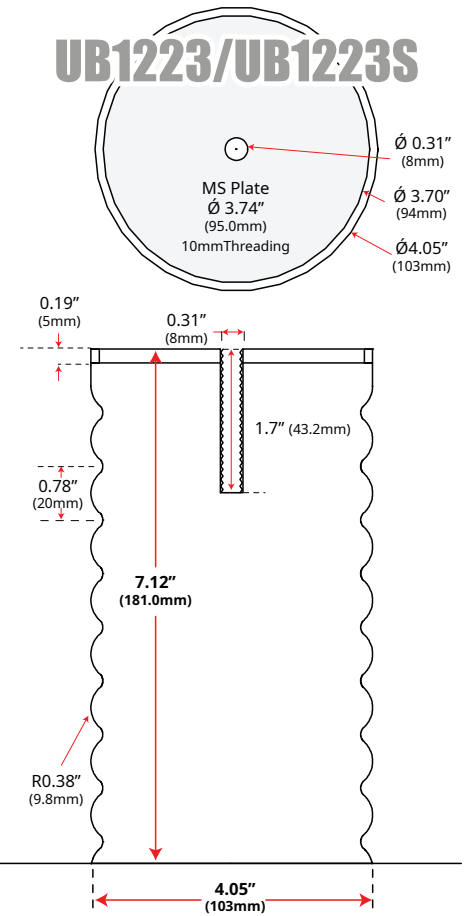
UB13/UB13S



UB123/UB123S



UB1223/UB1223S



*All measurement are +/- 5mm

